

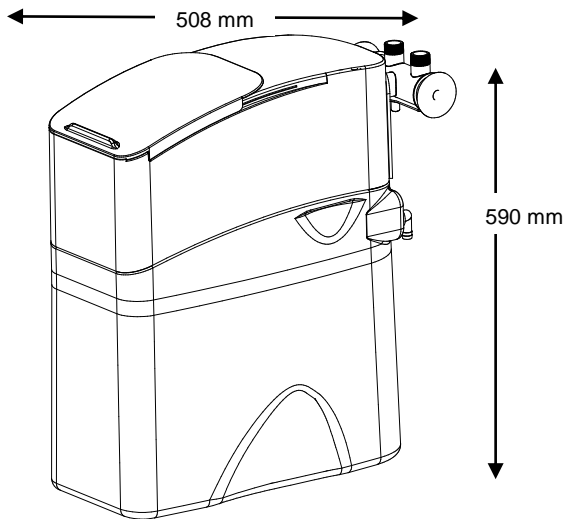
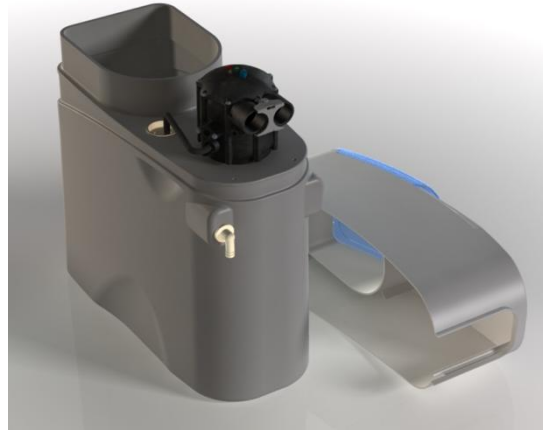


Kinetico Essential Series™ Water Softeners

Performance and value for basic water problems and applications

- With the patent-pending AccuDial™ feature, Essential Series models are calibrated to function with fine-tuned efficiency. It's like having a water softener that's custom-designed specifically for the water in your home – without the custom price. Choose from several configurations, including cabinet versions, for your optimum solution.
- Less salt. Less water. Less money. Less hassle! Essential Series Water Softeners make perfect sense.

Essential[™] Silver HE



	Kinetico Essential Silver HE
Model	Kinetico Essential Silver HE
Tank size (inches)	7x16
Media (resin)	7,4 litres
Working temperature	2 - 49 C°
Max flowrate m ³ /h	1,8
Regeneration time	11 minutes
Water usage per regeneration	25 litres
Salt consumption per regeneration	0.3 kg
Regeneration method	Countercurrent
Certifications	WQA, NSF
Demand initiated	Yes
Electricity	None
Height mm	590